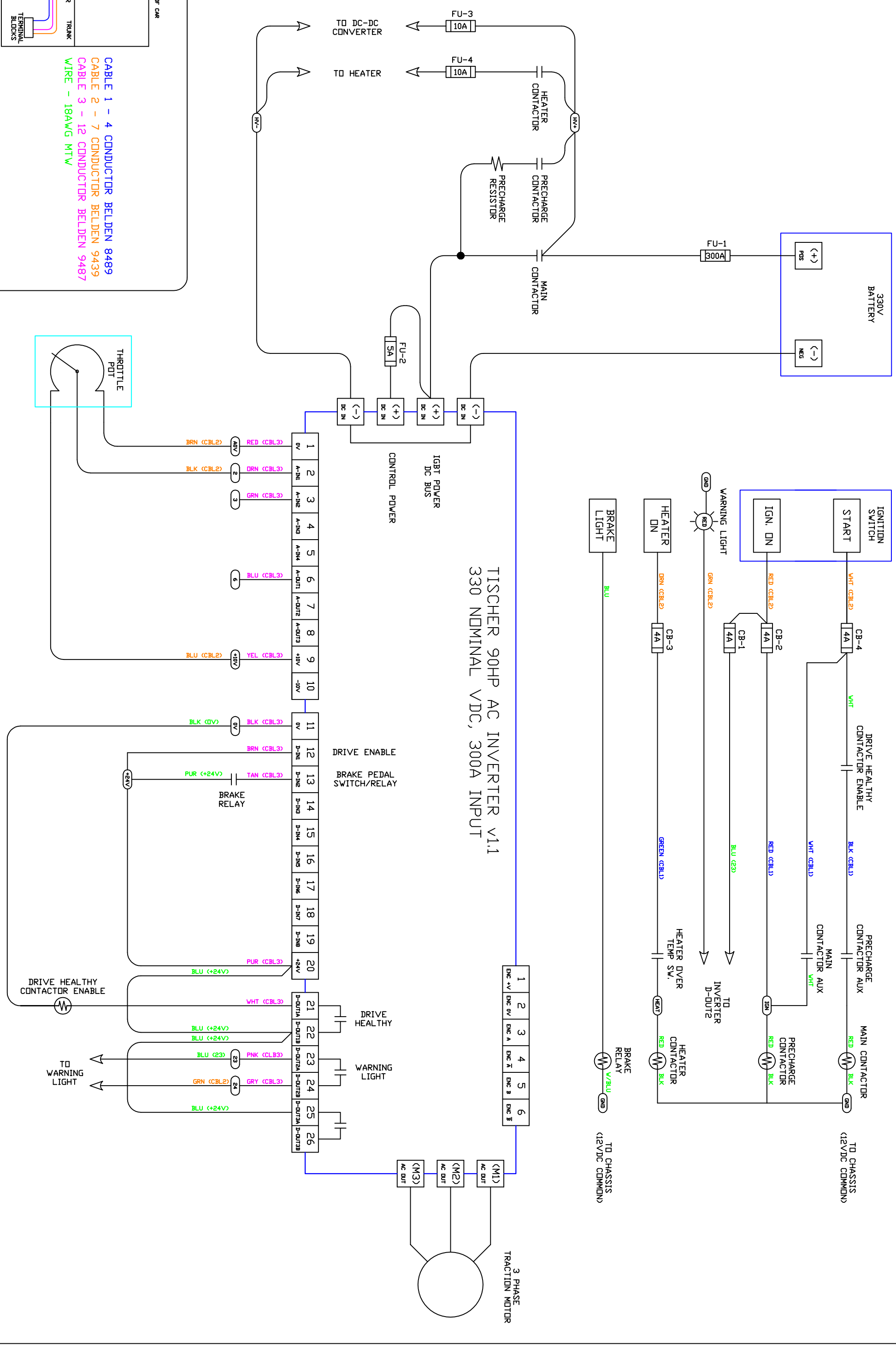


CUSTOMER CONNECTION DIAGRAM



TISCHER 90HP AC INVERTER V1.1
 330 NOMINAL VDC, 300A INPUT

